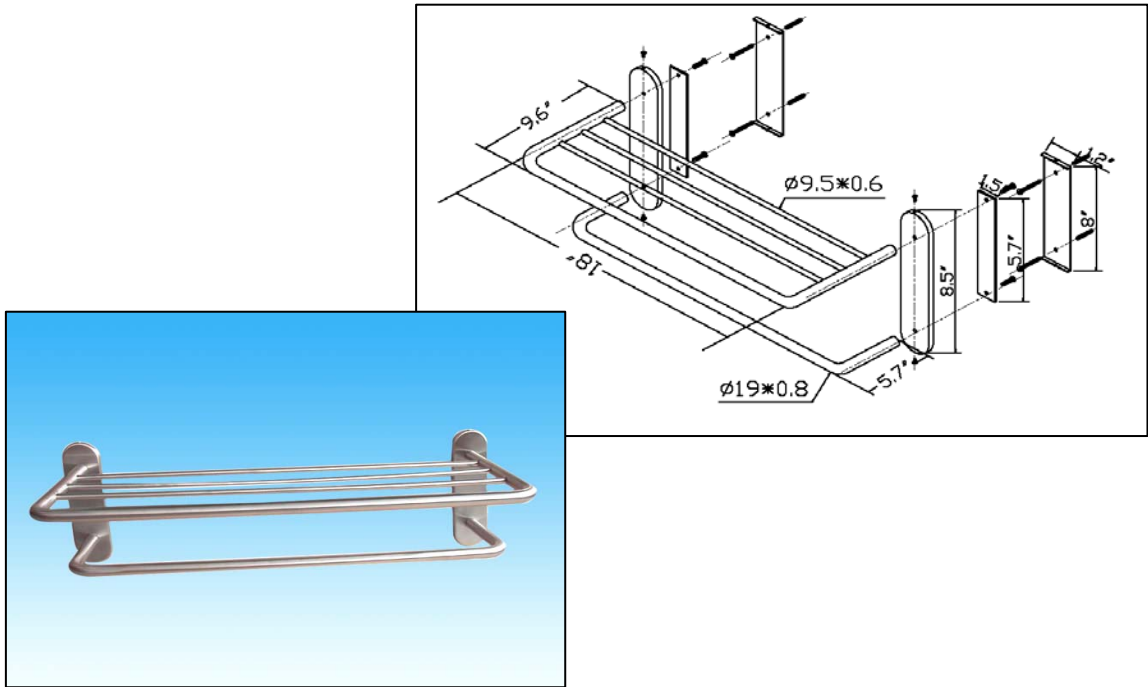


Specifications

Towel Shelf with Bar TS-101 Series

- Towel shelf 101 with bar
- Material: Standard SS304
- Finishes: Satin, polished, powder coat or gold color
- Dimensions: 18" and 24" Available.
- Mounting brackets and hardware included



Sizes Available	Model No.
18" Long	TS-101-18
24" Long	TS-101-24