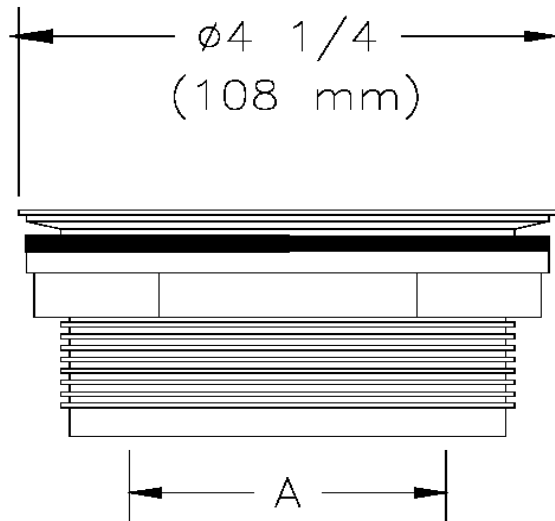


Specifications

P/N DRA101 2" No-Caulk Brass Drain

- Recommended for molded shower stalls where the drain is installed on the shower unit before it is placed. The drain is furnished with a stainless steel strainer, water-tight gasket and securing nut.



Product	'A' Connections
DRA101	2"[50mm] Brass Push-On

Typical installation

