

PART NUMBER KEY

SEA - XX XXXX - XX - XX

FRAME STYLE:

SWING DOWN LEGS: SD
WALL BRACKET: WB
BRACKETLESS: BL

DIMENSIONS:

XXXX

Custom
dimensions
available

SHAPE:

LEFT HAND: LH
RIGHT HAND: RH
RECTANGULAR: NH

MATERIAL (TOP):

PADDED: PA
PHENOLIC WHITE: PH
PHENOLIC WOODGRAIN: PW
HDPE: HD
NO TOP (FRAME ONLY): NO

Custom
colors
available



SWING DOWN LEGS



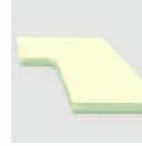
WALL BRACKET



BRACKETLESS



LEFT HAND



RIGHT HAND



PADDED



PHENOLIC WHITE



PHENOLIC WOODGRAIN



HDPE

EXAMPLE: SEA - SD 26 21 - LH - PA

SEAT WITH SWING DOWN LEGS, 26"L x 21"D, LEFT HAND CONFIGURATION, PADDED

OPERATION & INSTALLATION:

In accordance with ADA requirements, the seat can be raised and lowered with less than 5 pounds of force. Mounting bracket provides smooth, uniform resistance. Positive friction allows the seat to remain securely in the raised position preventing accidental lowering. When installed correctly CSI Shower Seats will support a static load in excess of 400 Lbs.

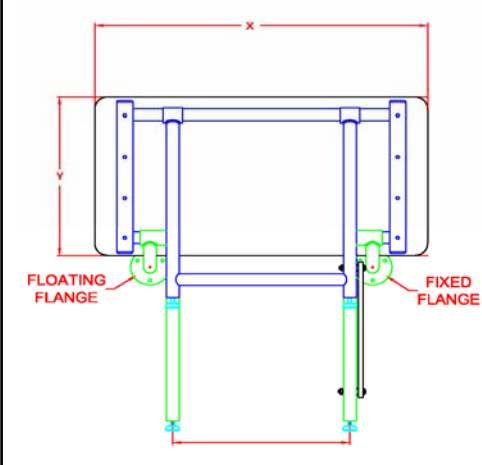
Every seat installation requires reinforced wall backing. It is the responsibility of the designers, builders and installers to evaluate the application and the wall to specify the appropriate fasteners. Grab bars should be specified with shower seats. consult local building codes and current ADA requirements to assure compliance.

STANDARD FEATURES:

Manufactured with precision and quality, all CSI shower seats are constructed of 304 Stainless Steel. Tubing is at least 18 gauge (1.2mm) with heliarc welding.

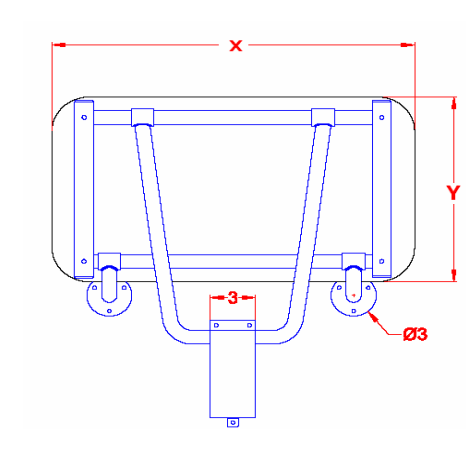
- Frame - 1.25" square tubing main support with 1" round tube cross braces
- Wall Flanges - Two 3" diameter x 10 gauge plates each with 2 mounting holes
- Hinge - 1" round tube with 90 degree bend welded to 1.25" round 12 gauge rotary hinge
- Support - Bent 1" diameter round tubing welded to 12 gauge rotary hinges
- Wall Bracket - Constant friction guide bracket allows seat to securely rest in the raised position
- Swing Down Legs - Adjustable height rubber feet

FOLDING SHOWER SEATS STANDARD CONFIGURATIONS



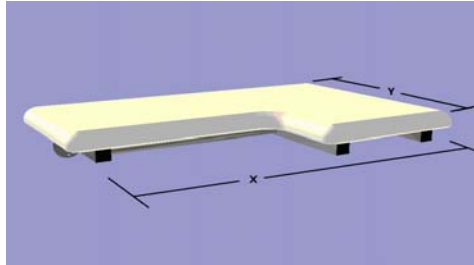
SD: SWING DOWN LEGS

SEA-SD2216	x=22"	y=16"
SEA-SD2416	x=24"	y=16"
SEA-SD2621	x=26"	y=21"
SEA-SD2821	x=28"	y=21"
SEA-SD3021	x=30"	y=21"
SEA-SD3221	x=32"	y=21"
SEA-SD3421	x=34"	y=21"



WB: WALL BRACKET

SEA-WB2216	x=22"	y=16"
SEA-WB2416	x=24"	y=16"
SEA-WB2621	x=26"	y=21"
SEA-WB2821	x=28"	y=21"
SEA-WB3021	x=30"	y=21"
SEA-WB3221	x=32"	y=21"
SEA-WB3421	x=34"	y=21"



BL: BRACKETLESS FRAME

SEA-BL2216	x=22"	y=16"
SEA-BL2416	x=24"	y=16"
SEA-BL2621	x=26"	y=21"
SEA-BL2821	x=28"	y=21"
SEA-BL3021	x=30"	y=21"
SEA-BL3221	x=32"	y=21"
SEA-BL3421	x=34"	y=21"